

SUBMITTAL/TECHNICAL DATA SHEET



DESCRIPTION

Drywall Access Door provides simple access through a vertical or horizontal surface with push latching door. Engineered with a welded aluminum frame and an optional removable door that is designed to receive 1/2 inch or 5/8 inch drywall infill to seamlessly integrate into the surrounding wall.

FEATURES

- Optional Double Door
- Push Latching Door
- Safety Cord

SPECIFICATIONS

MODEL: BRGB/BRGBR/BRGT

DOOR: Welded Aluminum, Drywall Infill

FRAME: Welded Aluminum

SIZE:
Min: 8 inches by 8 inches
Max: 24 inches by 24 inches

INSTALLATION: Wall or Ceiling

FLANGE: Exposed

HINGE: Welded Pin

FINISH: Mill

WARRANTY: 1 year

OPTIONS: Flanges, Latches, Materials, Gaskets

For a complete list of options visit www.AccessDoorsAndPanels.com

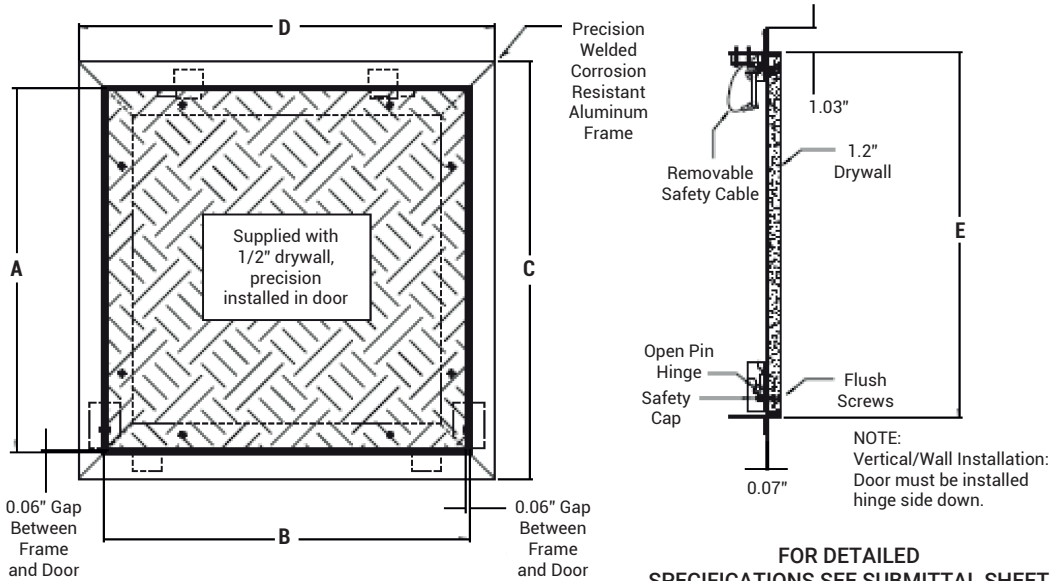


DIMENSIONS AND APPEARANCE

>> CLICK TO VIEW ADDITIONAL DETAILS AND PRICING <<

ORDER GUIDE:

BASE	FLANGE	WIDTH	X	LENGTH	OPTIONS	-	INFILL
BRG			X			-	
	B No Flange	STANDARD SIZES			C Screw Driver Cam Latch		500 -1/2" Drywall
	BR Plaster Bead	8" X 8"		20" X 20"	D Double Door		625 -5/8" Drywall
	T Drywall Bead	12" X 12"		24" X 24"	L Key Operated Cam Latch		
		16" X 16"					



FOR DETAILED SPECIFICATIONS SEE SUBMITTAL SHEET

PROJECT DATA

Custom Sizes Available - Fast!

PROJECT NAME :	QTY	W	H	OPTIONS
ARCHITECT :				
DEALER :				
CONTRACTOR :				
LOCATION :	SPECIAL INSTRUCTIONS :			
DATE :	SUBMITTAL APPROVAL : (signature or stamp)			
TAGGING INSTRUCTIONS :				

Scan or Click



To view Pricing and Additional Product Info.

TELEPHONE:
1-888-457-1275
FAX:
1-888-626-2907



PO BOX 66738 #76520,
SAINT LOUIS, MO
63166-6738
USA



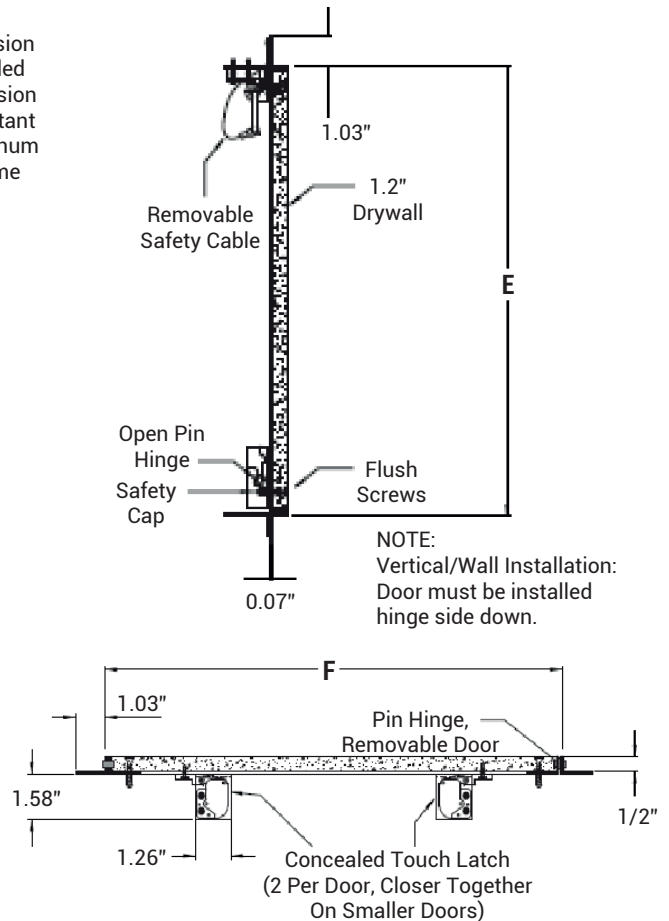
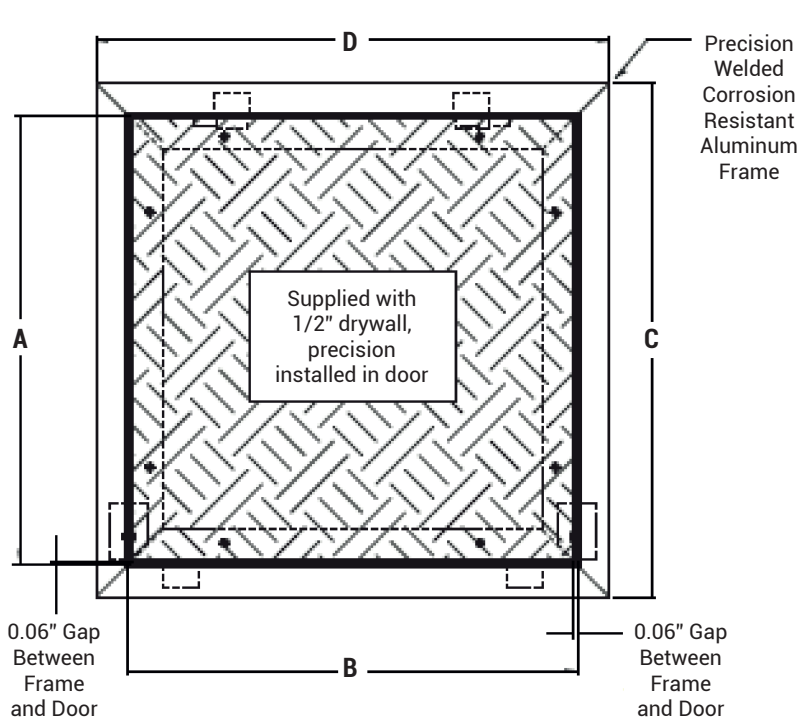
WEBSITE:
www.AccessDoorsAndPanels.com
E-MAIL:
info@AccessDoorsAndPanels.com



B R GBR

DRYWALL ACCESS DOOR FOR 1/2" DRYWALL

QTY	NOMINAL SIZE W X H		A		B		C		D		E		F	
	Inches	mm	Inches	mm	Inches	mm	Inches	mm	Inches	mm	Inches	mm	Inches	mm
	8 x 8	203 x 203	8.00	203	8.00	203	10.20	258	10.20	258	8.14	207	8.14	207
	12 x 12	305 x 305	12.00	305	12.00	305	14.20	359	14.20	359	12.14	308	12.14	308
	16 x 16	406 x 406	16.00	406	16.00	406	18.20	461	18.20	461	16.14	410	16.14	410
	18 x 18	457 x 457	18.00	457	18.00	457	20.20	512	20.20	512	20.14	461	20.14	461
	20 x 20	508 x 508	20.00	508	20.00	508	22.20	562	22.20	562	22.14	512	22.14	512
	24 x 24	610 x 610	24.00	610	24.00	610	26.20	664	26.20	664	24.14	613	24.14	613
	24 x 36	610 x 915	24.00	610	36.00	915	26.20	664	38.20	969	24.14	613	36.14	919



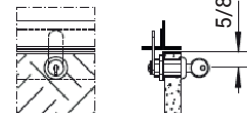
SPECIFICATIONS:

- CONCEALED TOUCH LATCH
- WELDED ALUMINUM FRAME
- WELDED ALUMINUM, OPEN HINGE, REMOVABLE DOOR
- PRE-INSTALLED PRECISION DRYWALL
- MILL FINISH
- NON-SNAG REMOVABLE SAFETY CABLE
- SUPPLIED TO FIT 1/2" DRYWALL
- ROUGH OPENING TO BE WIDTH/HEIGHT + 0.188"

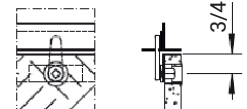
OPTIONS:

- CYLINDER LOCK WITH 2 KEYS (ALL KEYED ALIKE)
- RECESSED SQUARE CAM LATCH (USE WITH TOOL KEY, 1 PER 10 DOORS)

Optional Cylinder Lock with 2 Keys (All Keyed Alike)



Optional Recessed Square Cam Latch (Used with Tool Key; 1 Per 10 Doors)

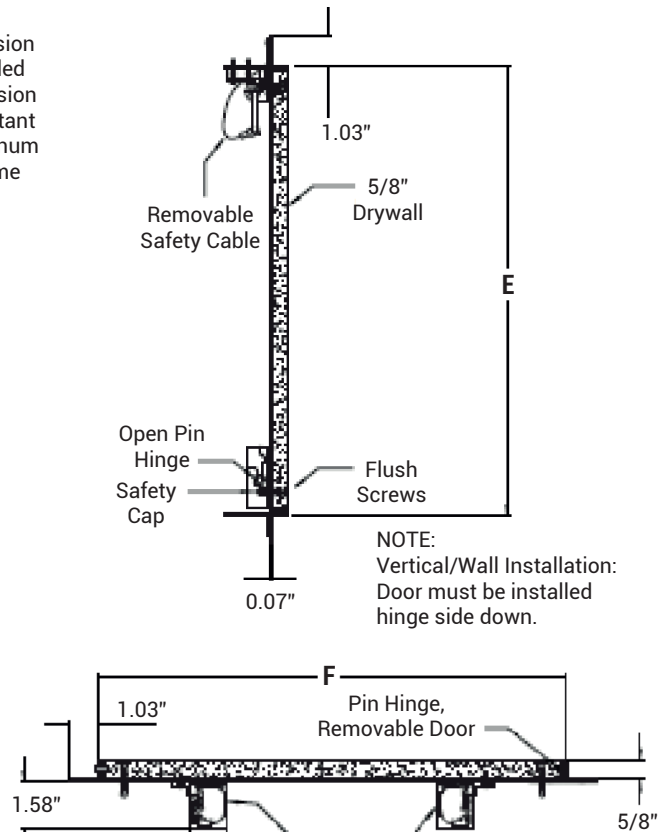
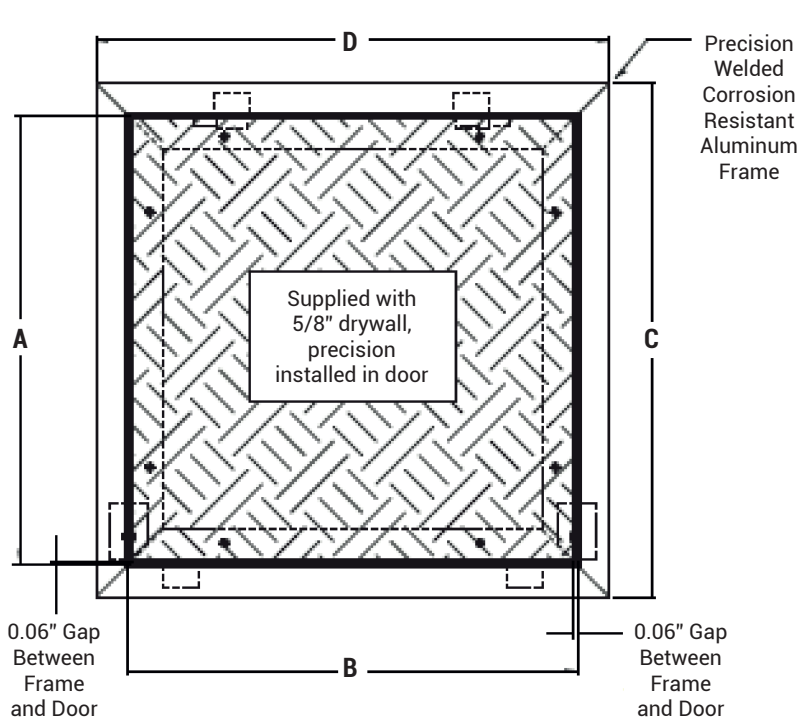




B R GBR

DRYWALL ACCESS DOOR FOR 5/8" DRYWALL

QTY	NOMINAL SIZE W X H		A		B		C		D		E		F	
	Inches	mm	Inches	mm	Inches	mm	Inches	mm	Inches	mm	Inches	mm	Inches	mm
	8 x 8	203 x 203	8.00	203	8.00	203	10.20	258	10.20	258	8.14	207	8.14	207
	12 x 12	305 x 305	12.00	305	12.00	305	14.20	359	14.20	359	12.14	308	12.14	308
	16 x 16	406 x 406	16.00	406	16.00	406	18.20	461	18.20	461	16.14	410	16.14	410
	18 x 18	457 x 457	18.00	457	18.00	457	20.20	512	20.20	512	20.14	461	20.14	461
	20 x 20	508 x 508	20.00	508	20.00	508	22.20	562	22.20	562	22.14	512	22.14	512
	24 x 24	610 x 610	24.00	610	24.00	610	26.20	664	26.20	664	24.14	613	24.14	613
	24 x 36	610 x 915	24.00	610	36.00	915	26.20	664	38.20	969	24.14	613	36.14	919



NOTE:
Vertical/Wall Installation:
Door must be installed
hinge side down.

SPECIFICATIONS:

- CONCEALED TOUCH LATCH
- WELDED ALUMINUM FRAME
- WELDED ALUMINUM, OPEN HINGE, REMOVABLE DOOR
- PRE-INSTALLED PRECISION DRYWALL
- MILL FINISH
- NON-SNAG REMOVABLE SAFETY CABLE
- SUPPLIED TO FIT 5/8" DRYWALL
- ROUGH OPENING TO BE WIDTH/HEIGHT + 0.188"

OPTIONS:

- CYLINDER LOCK WITH 2 KEYS (ALL KEYED ALIKE)
- RECESSED SQUARE CAM LATCH (USE WITH TOOL KEY, 1 PER 10 DOORS)

